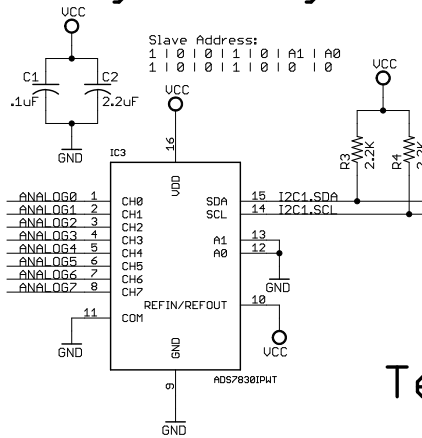
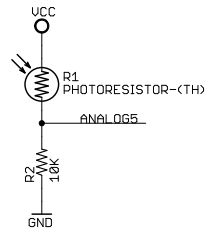


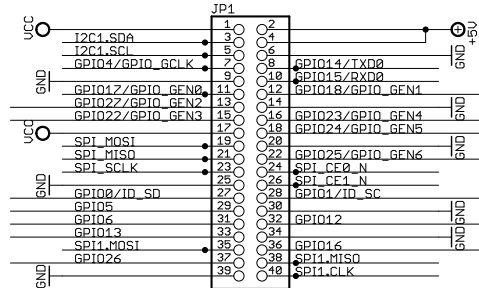
Analog to Digital



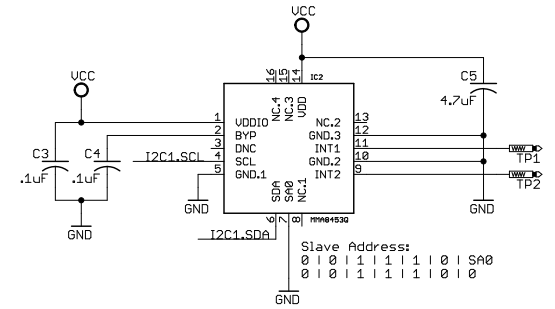
Light Sensor



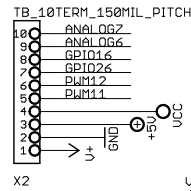
Raspberry Pi Connector



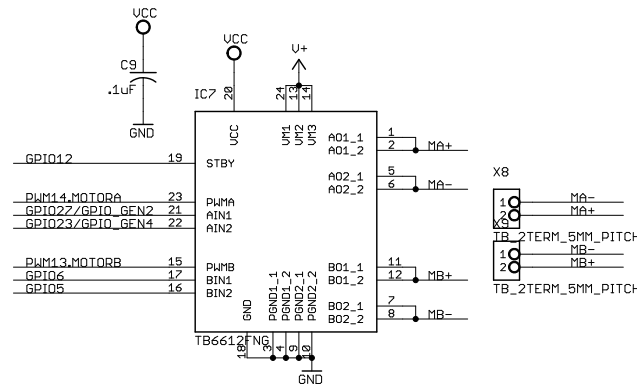
Accelerometer



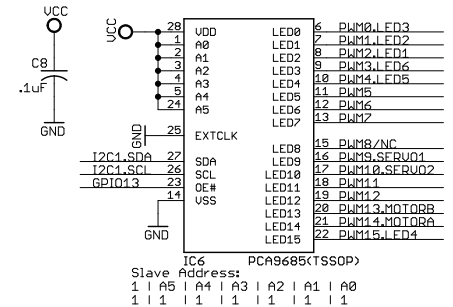
Terminal Block Expansion



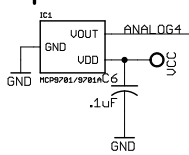
Motor Controller



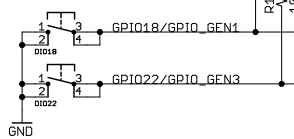
PWM (LED Driver)



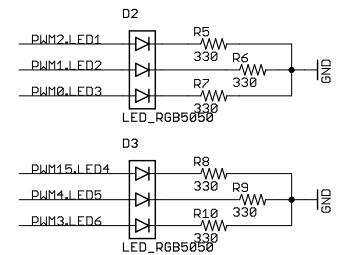
Analog Temperature



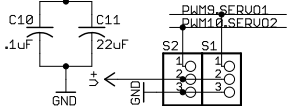
Buttons



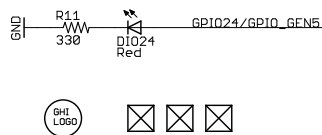
RGB LEDs



Servos



LED



IO Expansion Headers

