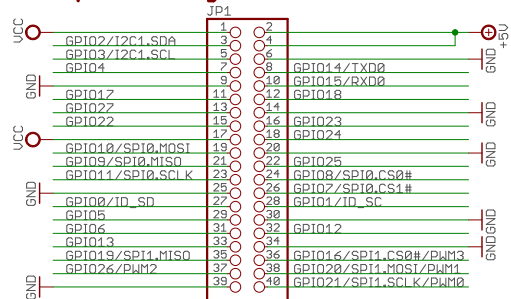
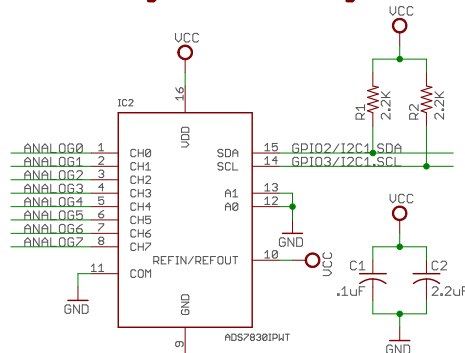


Raspberry Pi Header

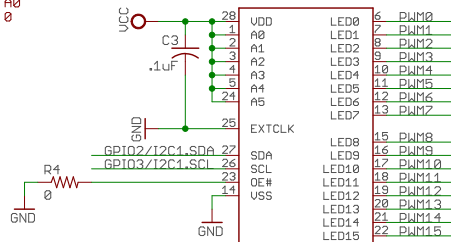


Analog to Digital



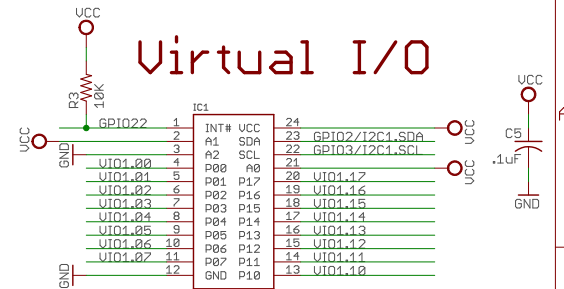
Slave Address:
1 1 0 1 0 1 1 0 1 1 0 1 0 1 0

PWM

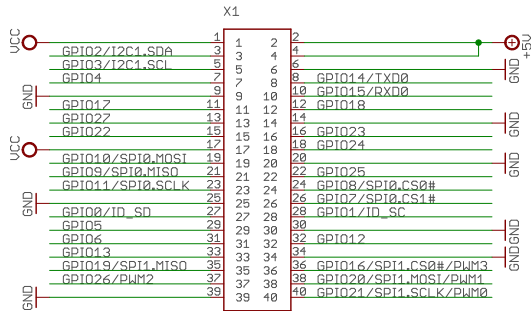


Slave Address:
1 1 1 1 1 1 1 1 1 1 1 1 1 1 1

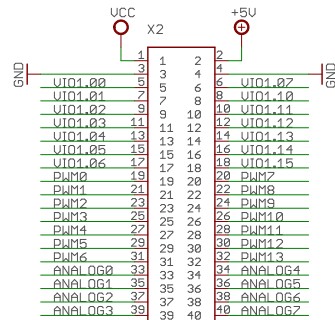
Virtual I/O



Slave Address:
0 1 1 0 1 0 1 0 1 1 0 1 0 1 0
0 1 1 0 1 0 1 0 1 1 1 1

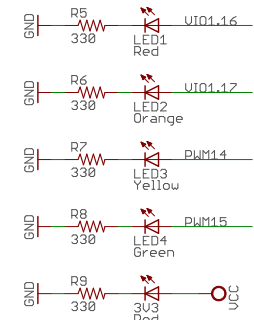


40_PIN_2.54MM_SMT_FEMALE_HEADER



40_PIN_2.54MM_SMT_FEMALE_HEADER

LED



Copyright 2016 GHI Electronics



GHI Electronics, LLC
Utility Shield

Rev 1.0
FEZ Utility
3/14/2019 5:14 PM
Sheet: 1/1