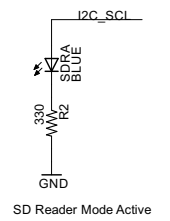
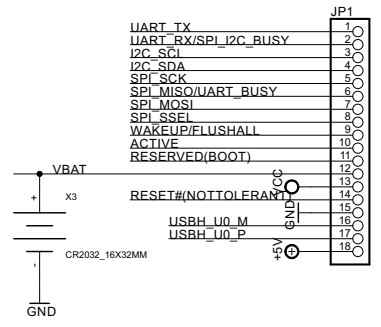


User Interface



GHI Electronics, LLC

Provided AS IS for reference only

ALFAT-EVAL

TITLE: ALFAT	
Document Number:	REV:
Date: 10/7/2015 11:11:17 AM	Sheet: 1/2

