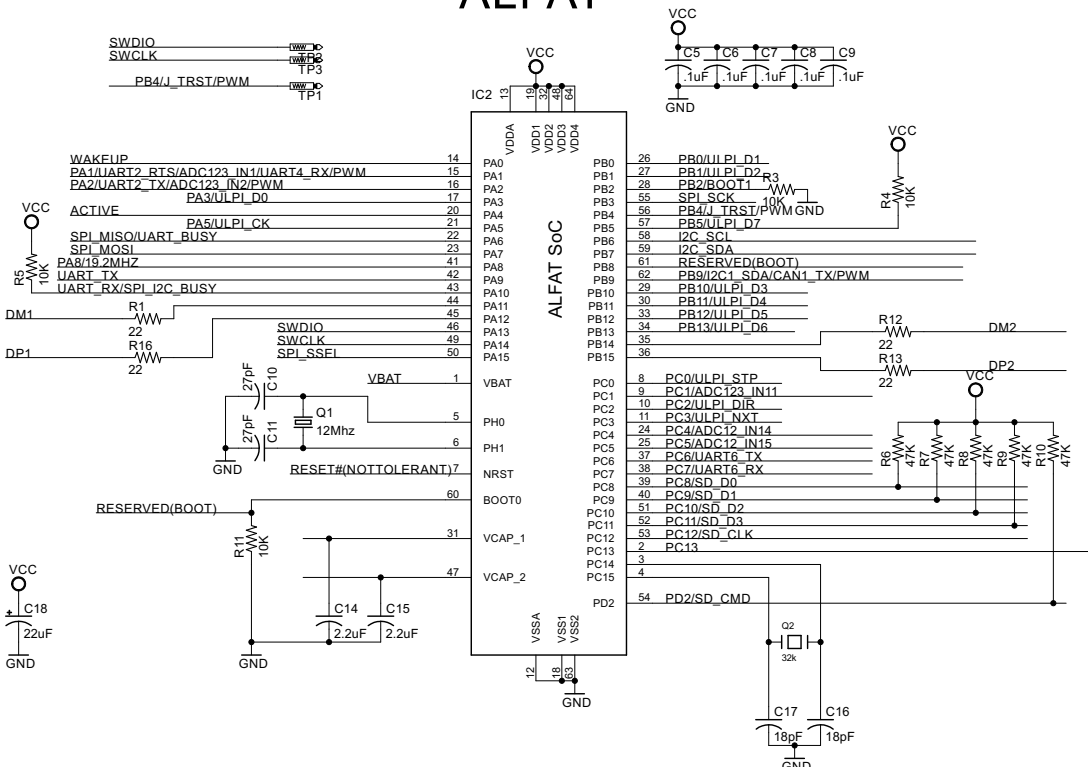
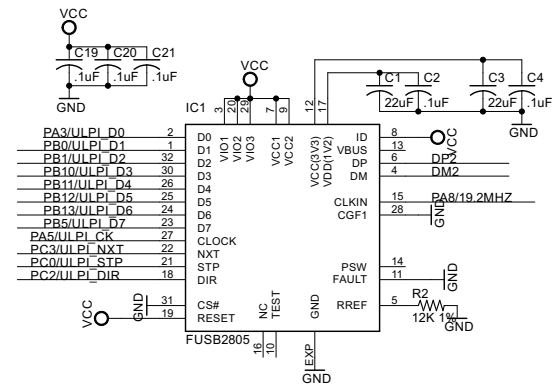


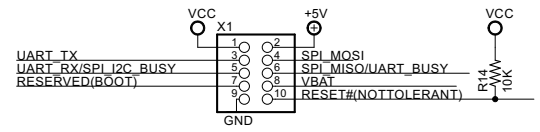
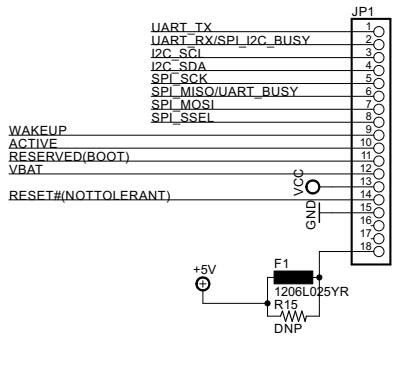
# ALFAT



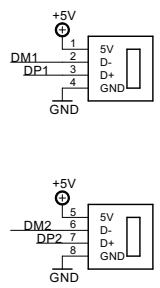
## Optional HS PHY



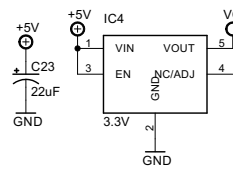
## User Interface



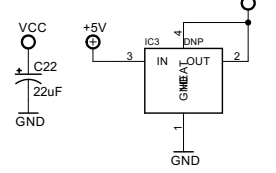
## USB connectors



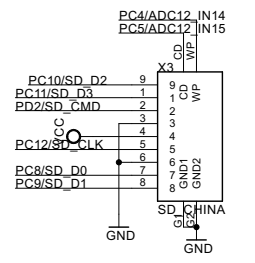
## 3.3V Regulator



## Alternate 3.3V



## SD Connector



GHI Electronics, LLC

Provided AS IS for reference only

# ALFAT-OEM

TITLE: ALFAT	
Document Number:	REV:
Date: 10/7/2015 11:11:17 AM	Sheet: 1/2

