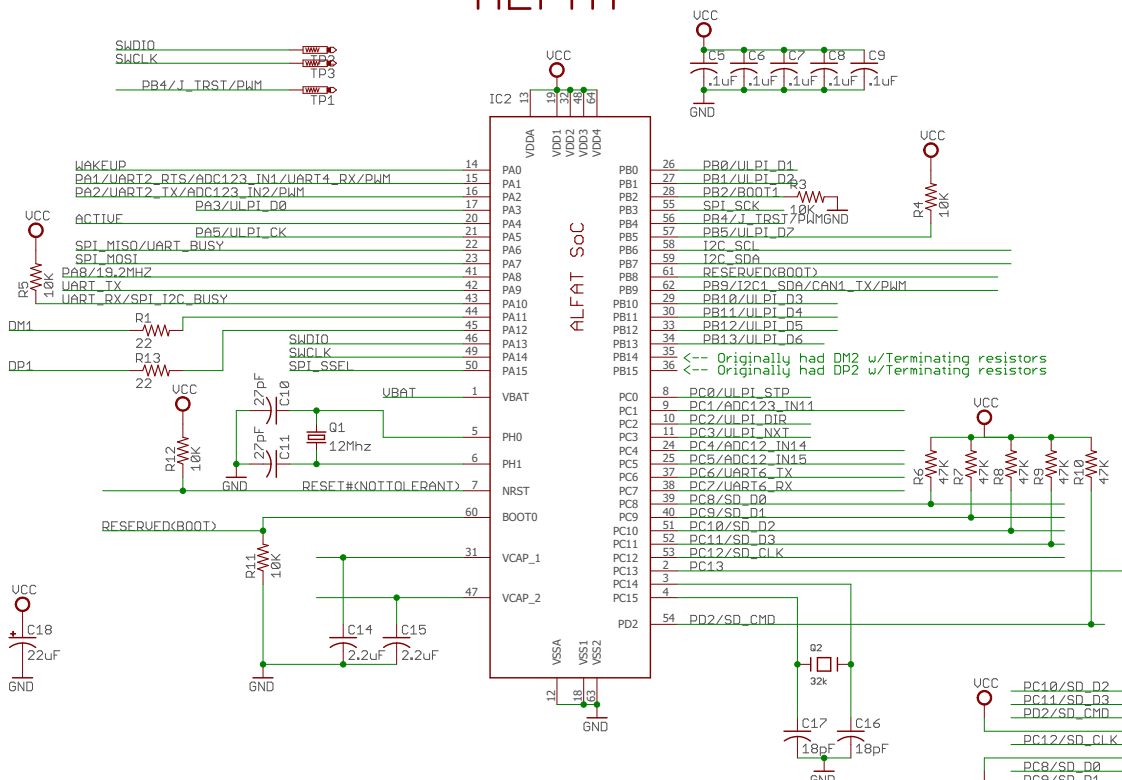
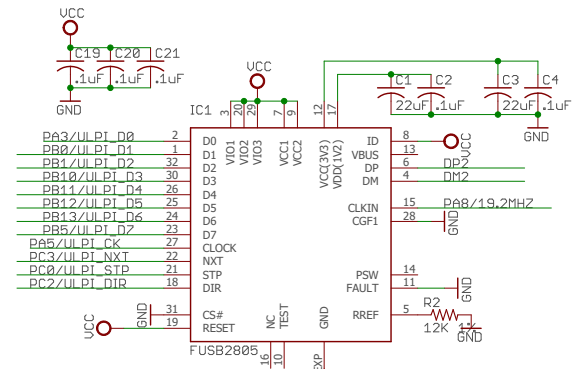


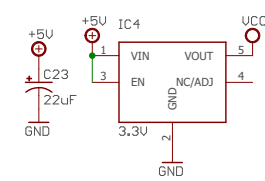
ALFAT



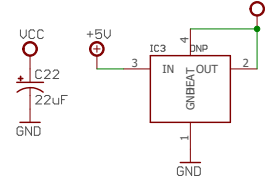
Optional HS PHY



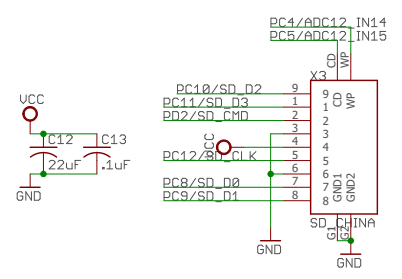
3.3V Regulator



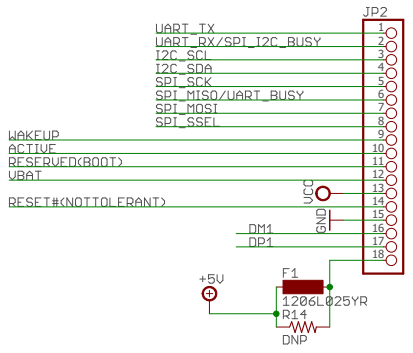
Alternate 3.3V



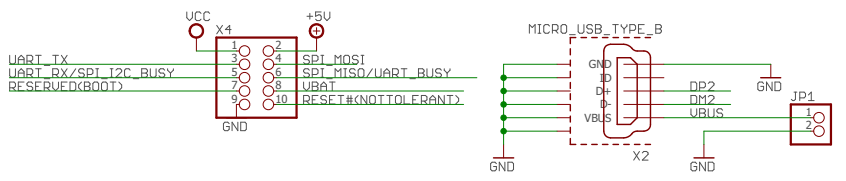
SD Connector



User Interface



USB connectors



GHI Electronics, LLC

Provided AS IS for reference only

ALFAT-SDR

TITLE: ALFAT-SDR		Copyright 2016 GHI Electronics
Document Number:	REV: 1.3	
Date: 3/15/2019 12:30 PM	Sheet: 1/1	

