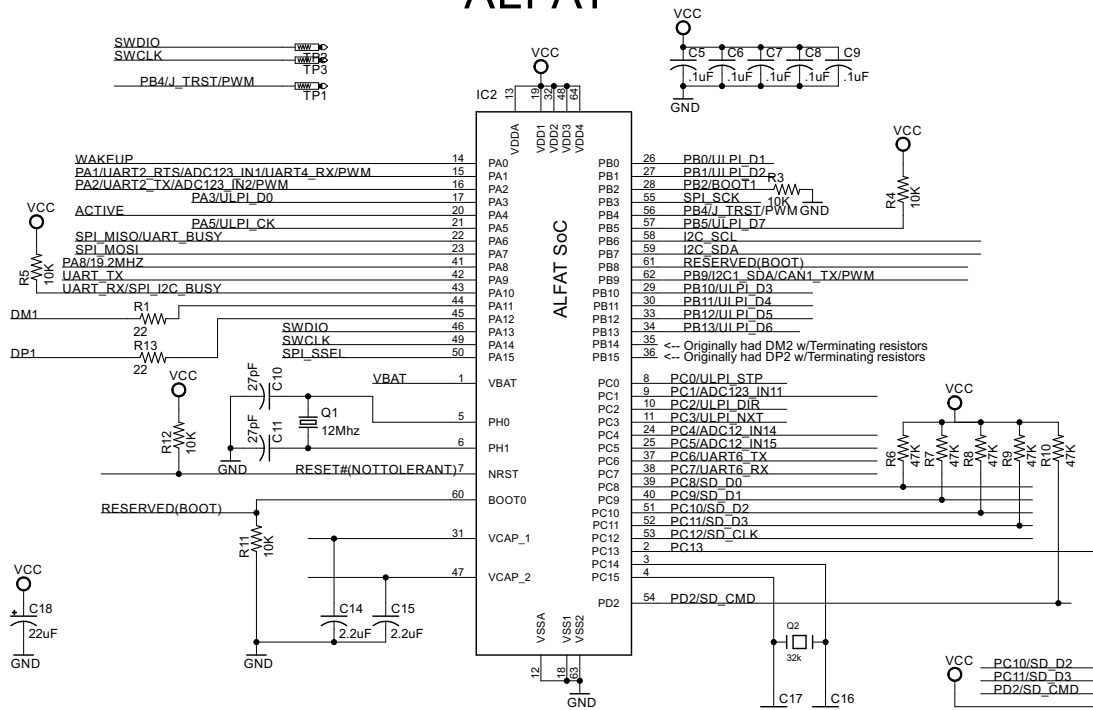
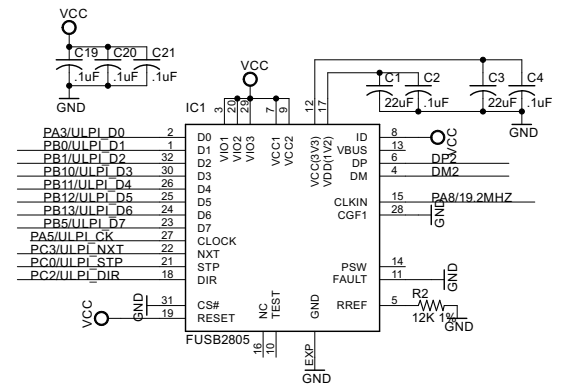


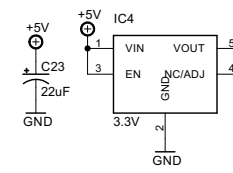
ALFAT



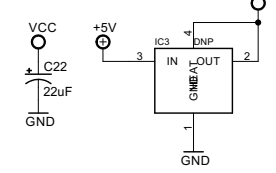
Optional HS PHY



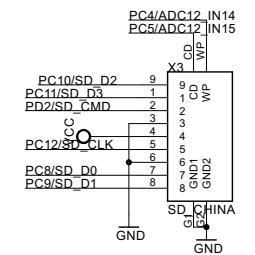
3.3V Regulator



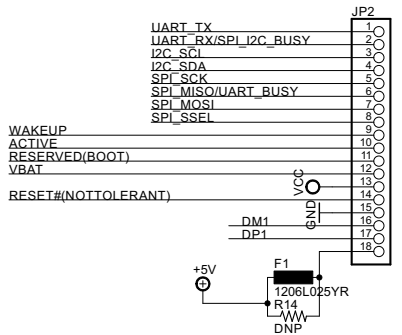
Alternate 3.3V



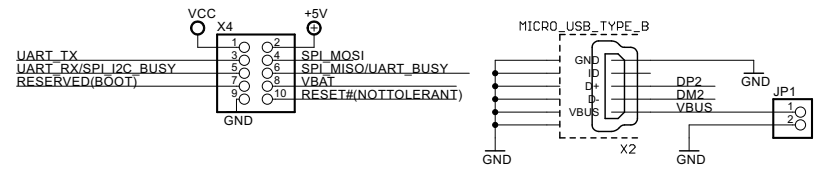
SD Connector



User Interface



USB connectors



GHI Electronics, LLC

Provided AS IS for reference only

ALFAT-SDR

TITLE: ALFAT-SDR	
Document Number:	REV:
Date: 10/7/2015 11:11:18 AM	Sheet: 1/2

