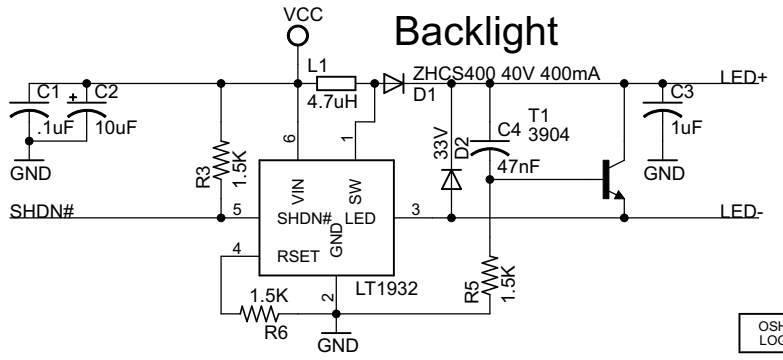
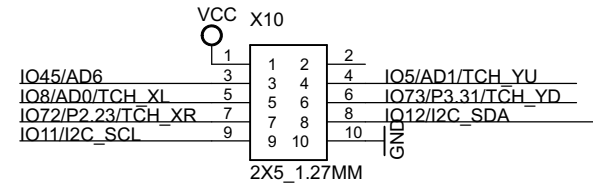
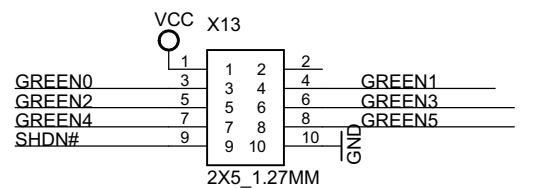
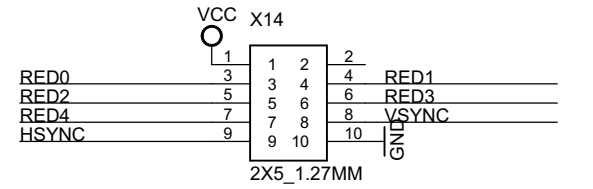
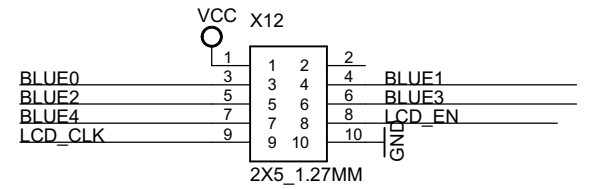


X2

3.5" Display

- 1 LED-
- 2
- 3 LED+
- 4
- 5
- 6
- 7 IO72/P2.23/TCH_XR
- 8 IO73/P3.31/TCH_YD
- 9 IO8/AD0/TCH_XL
- 10 IO5/AD1/TCH_YU
- 11
- 12
- 13 POL TP1
- 14 RST TP2
- 15 LCD_CS TP3
- 16 SPI_SCK TP4
- 17 SPI_MOSI TP5
- 18
- 19
- 20
- 21 BLUE0
- 22 BLUE1
- 23 BLUE2
- 24 BLUE3
- 25 BLUE4
- 26
- 27
- 28 GREEN0
- 29 GREEN1
- 30 GREEN2
- 31 GREEN3
- 32 GREEN4
- 33 GREEN5
- 34
- 35
- 36
- 37 RED0
- 38 RED1
- 39 RED2
- 40 RED3
- 41 RED4
- 42 HSYNC
- 43 VSYNC
- 44 LCD_CLK
- 45
- 46
- 47 VCC
- 48
- 49
- 50
- 51
- 52
- 53
- 54
- 55
- 56
- 57
- 58 LCD_EN
- 59
- 60 GND



| | | | |
|-----------------------|--|---------------------|--|
| Gadgeteer Display T35 | | Display T35 | |
| GHI Electronics, LLC | | 1/6/2012 2:14:37 PM | |
| | | Sheet: 1/1 | |