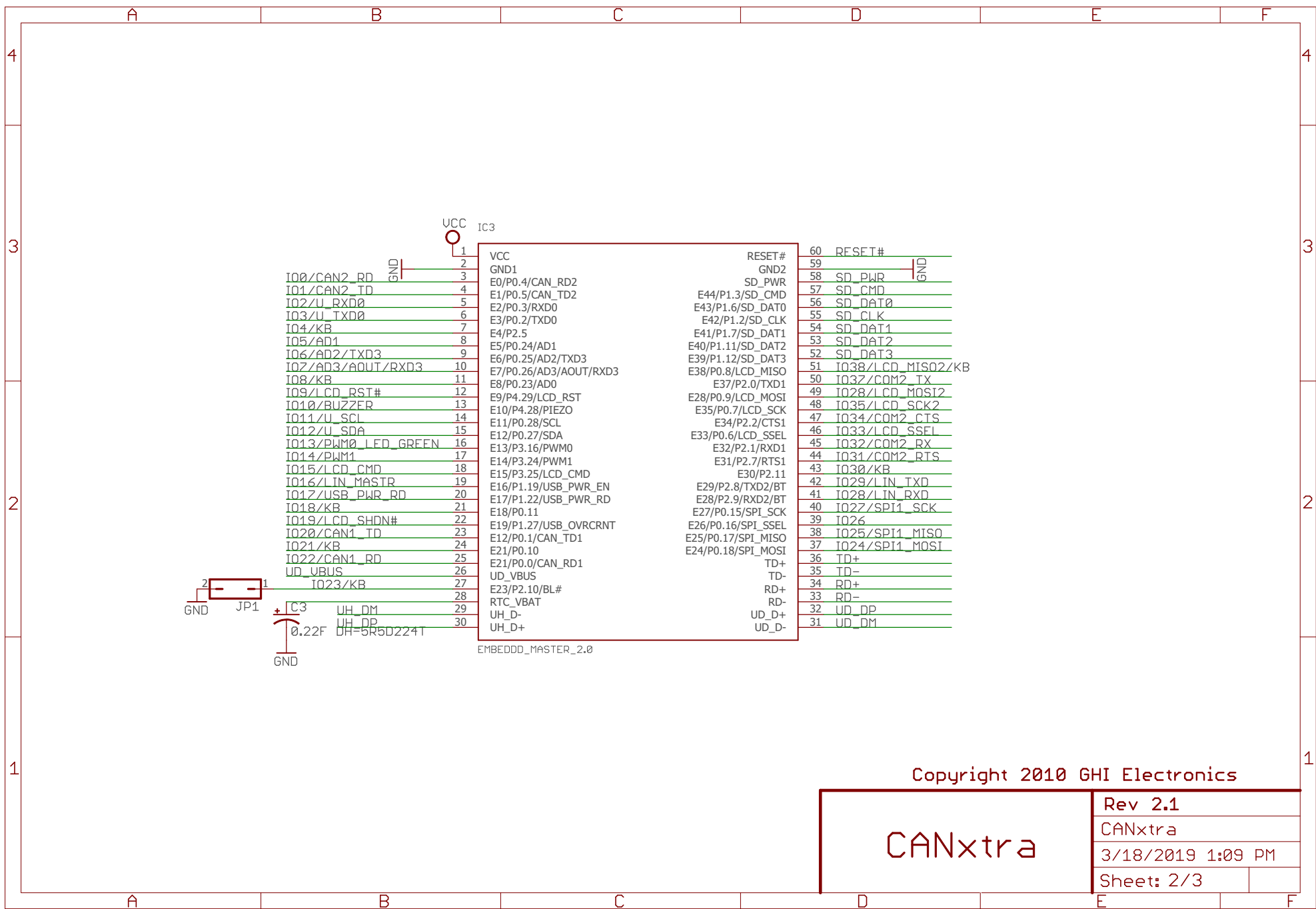


Copyright 2010 GHI Electronics

GHI Electronics, LLC CANxtra	Rev 2.1
	CANxtra
	3/18/2019 1:09 PM
Sheet: 1/3	

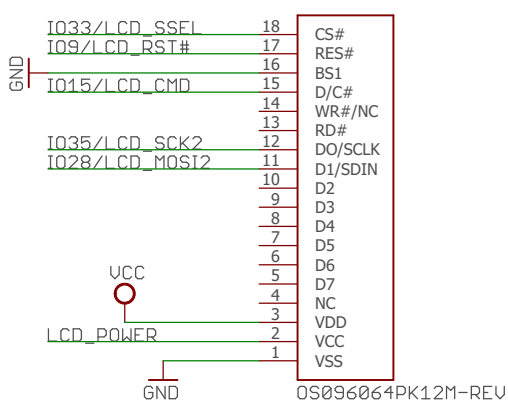


1	VCC	60	RESET#
2	GND1	59	GND2
3	E0/P0.4/CAN_RD2	58	SD_PWR
4	E1/P0.5/CAN_TD2	57	SD_CMD
5	E2/P0.3/RXD0	56	SD_DAT0
6	E3/P0.2/TXD0	55	SD_CLK
7	E4/P2.5	54	SD_DAT1
8	E5/P0.24/AD1	53	SD_DAT2
9	E6/P0.25/AD2/TXD3	52	SD_DAT3
10	E7/P0.26/AD3/AOUT/RXD3	51	I038/LCD_MISO2/KB
11	E8/P0.23/AD0	50	I037/COM2_TX
12	E9/P4.29/LCD_RST	49	I028/LCD_MOSI2
13	E10/P4.28/PIEZO	48	I035/LCD_SCK2
14	E11/P0.28/SCL	47	I034/COM2_CTS
15	E12/P0.27/SDA	46	I033/LCD_SSEL
16	E13/P3.16/PWM0	45	I032/COM2_RX
17	E14/P3.24/PWM1	44	I031/COM2_RTS
18	E15/P3.25/LCD_CMD	43	I030/KB
19	E16/P1.19/USB_PWR_EN	42	I029/LIN_TXD
20	E17/P1.22/USB_PWR_RD	41	I028/LIN_RXD
21	E18/P0.11	40	I027/SPI1_SCK
22	E19/P1.27/USB_OVRCRNT	39	I026
23	E20/P0.1/CAN_TD1	38	I025/SPI1_MISO
24	E21/P0.10	37	I024/SPI1_MOSI
25	E22/CAN1_RD	36	TD+
26	UD_VBUS	35	TD-
27	I023/KB	34	RD+
28	E23/P2.10/BL#	33	RD-
29	RTC_VBAT	32	UD_DP
30	UH_DM	31	UD_DM
	UH_DP		
	UH_D+		
	UH_D-		

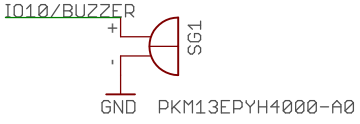
Copyright 2010 GHI Electronics

<h1>CANxtra</h1>	Rev 2.1
	CANxtra
	3/18/2019 1:09 PM
	Sheet: 2/3

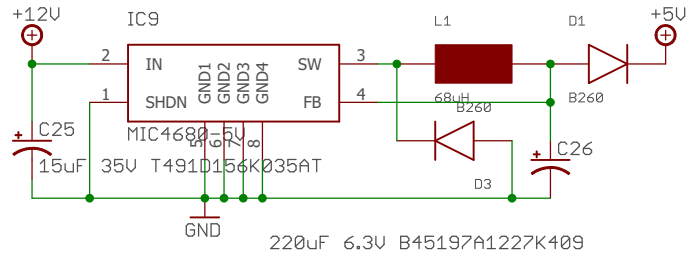
OLED



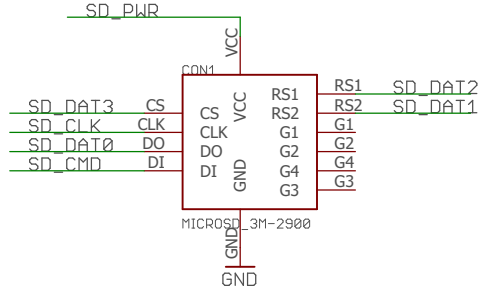
Buzzer



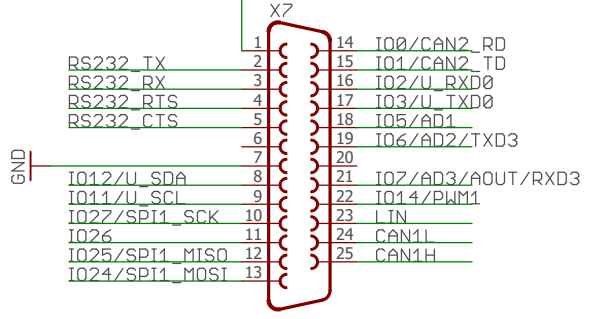
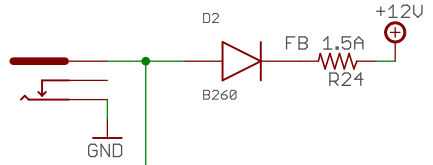
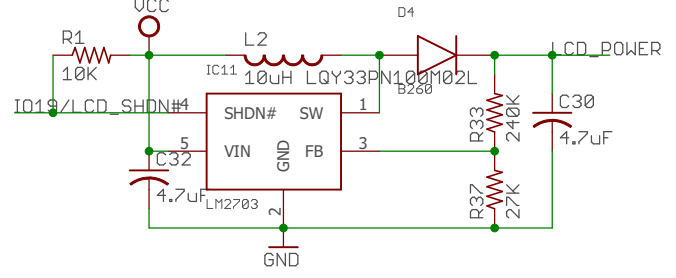
5V REG



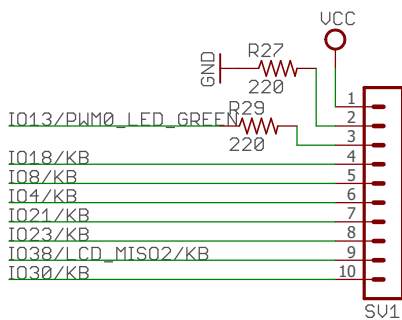
uSD



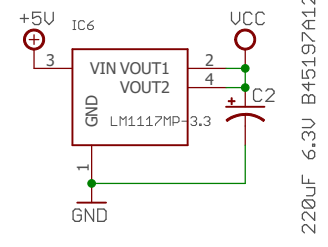
LCD 10V



Buttons



3.3V REG



Pins 8 and 22 shouldn't be in the cable to the PC

Copyright 2010 GHI Electronics

<h1>CANxtra</h1>	Rev 2.1
	CANxtra
	3/18/2019 1:09 PM
Sheet: 3/3	