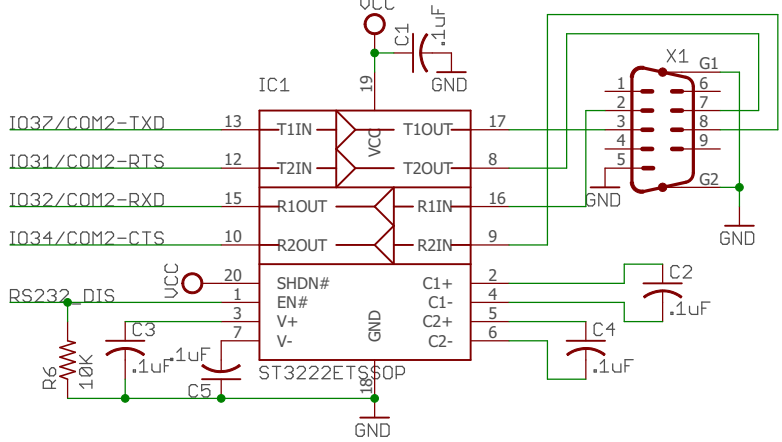


1 2 3 4 5 6

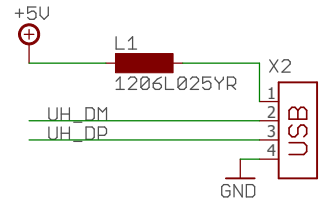
A

A

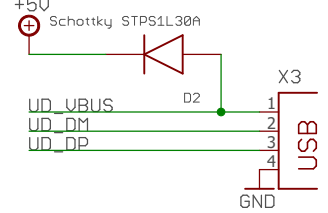
RS232 DTE (PC)



USB Host



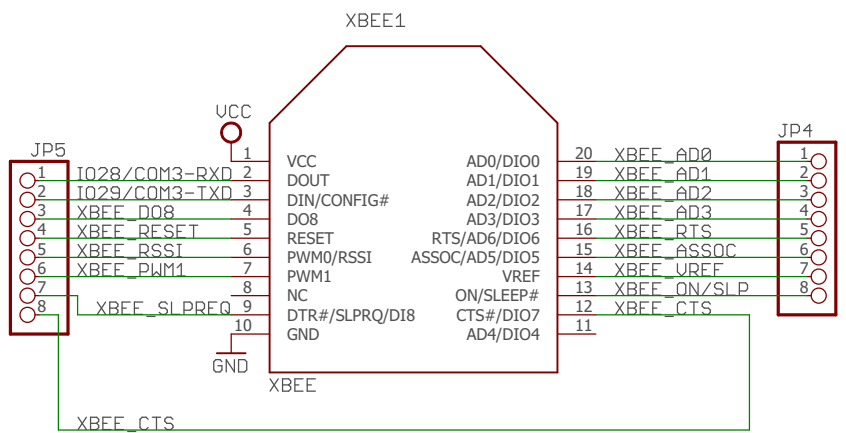
USB Device



B

B

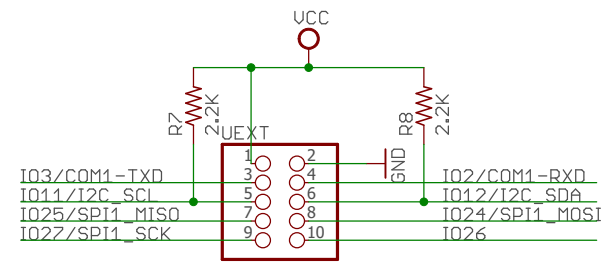
XBee



C

C

SPI/COM/I2C



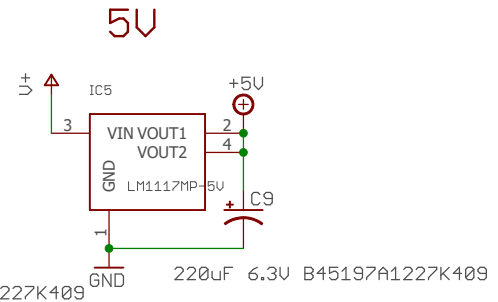
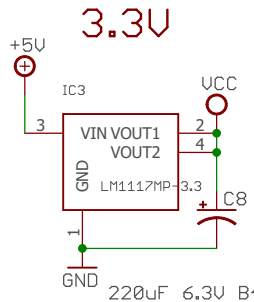
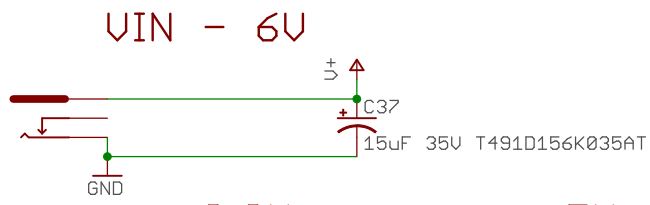
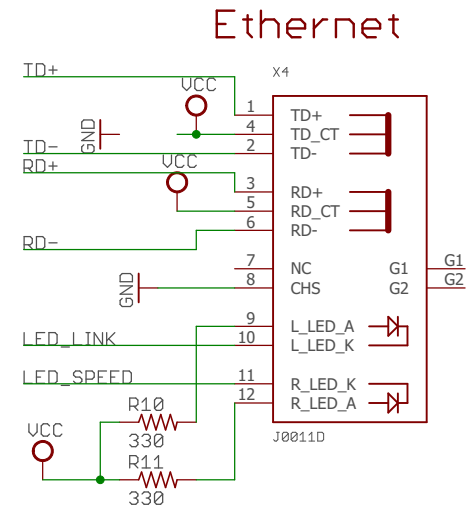
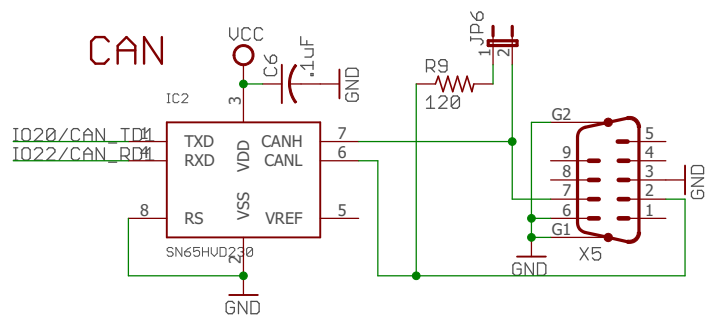
D

D

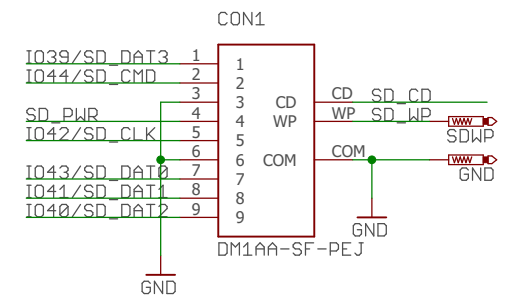
Copyright 2010 GHI Electronics

Rev 1.3
EMX
3/14/2019 5:48 PM
Sheet: 2/4

1 2 3 4 5 6

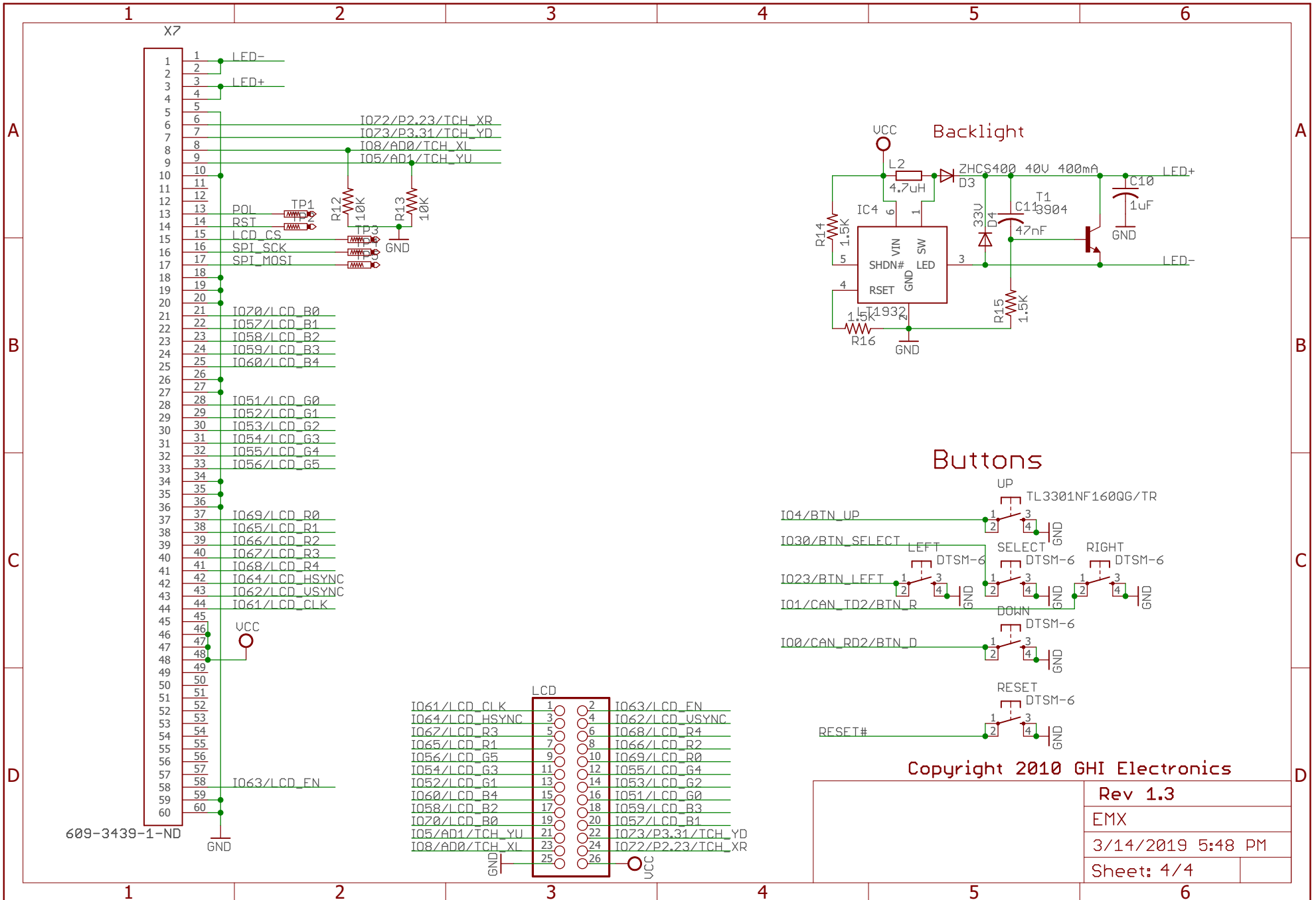


### SD/MMC memory card



Copyright 2010 GHI Electronics

Rev 1.3
EMX
3/14/2019 5:48 PM
Sheet: 3/4



Copyright 2010 GHI Electronics

Rev 1.3
EMX
3/14/2019 5:48 PM
Sheet: 4/4