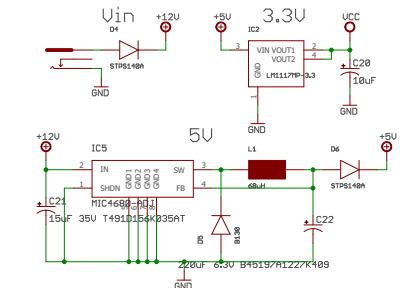
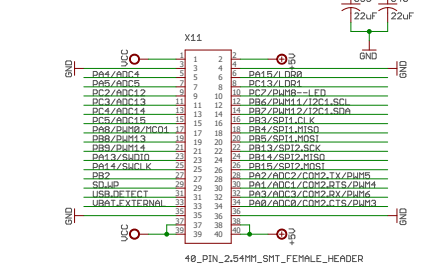
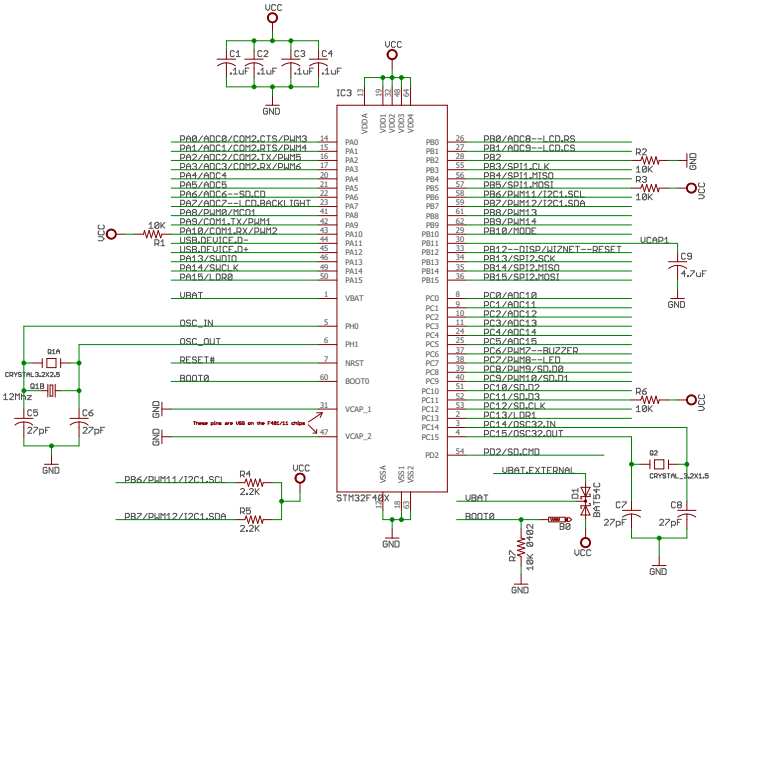


# MCU G30 SoC

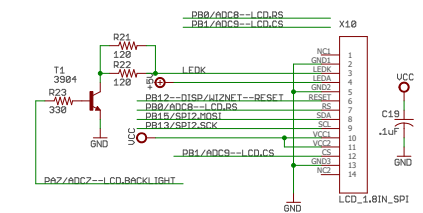
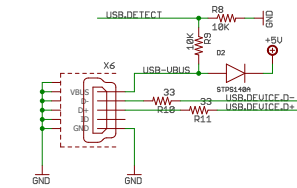
# User IOs

# Power



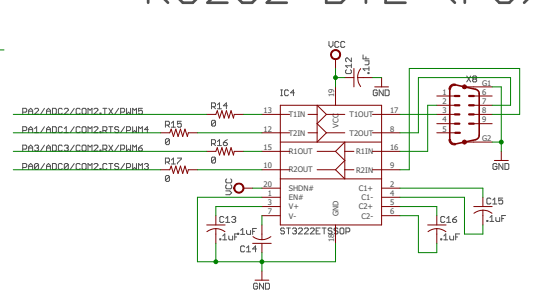
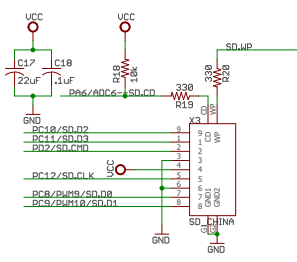
# USB Debug

# LCD

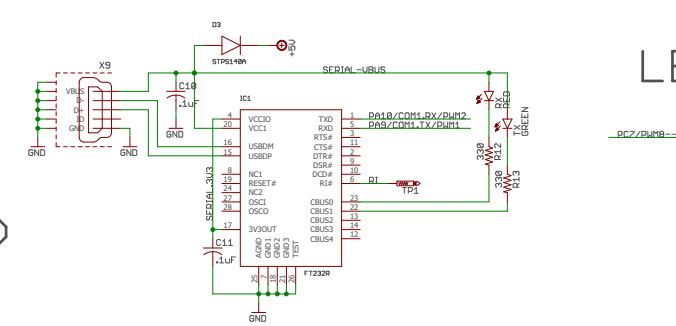


# SD

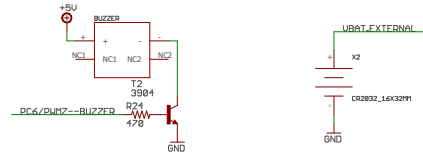
# RS232 DTE (PC)



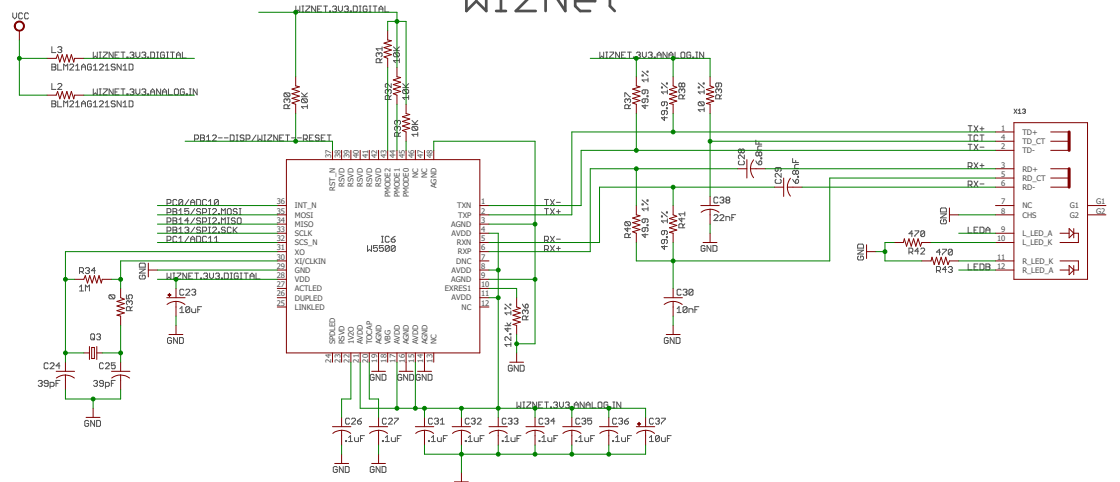
# USB Virtual Serial Port



# Buzzer VBAT Mode



# WizNet



# LEDs

# Buttons

