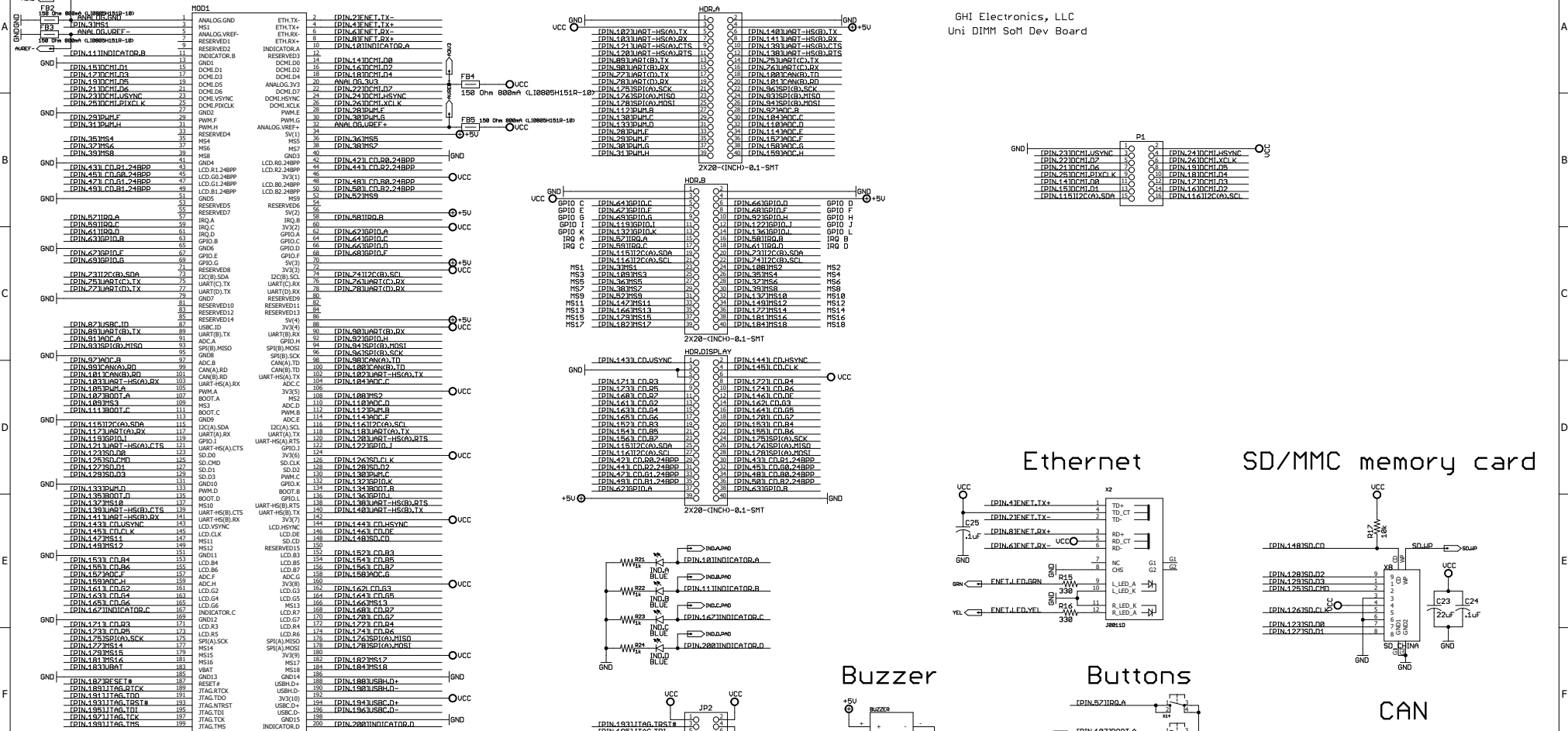


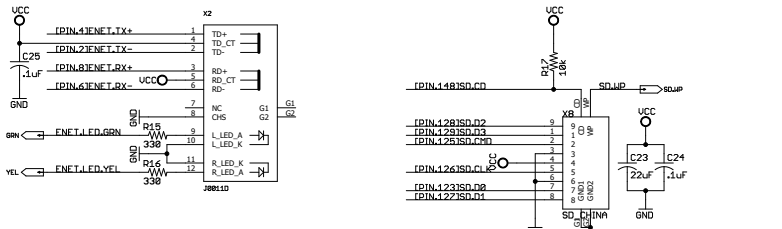
# Universal DIMM SoM

# Headers

GHI Electronics, LLC  
Uni DIMM SoM Dev Board



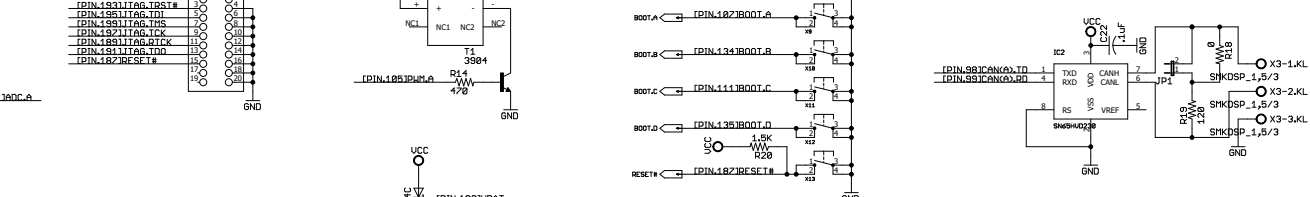
## Ethernet SD/MMC memory card



## Buzzer

## Buttons

## CAN



## Power

## USB UCOM1

## LEDs

## USB Host

## USB Device

