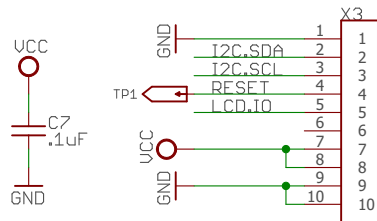
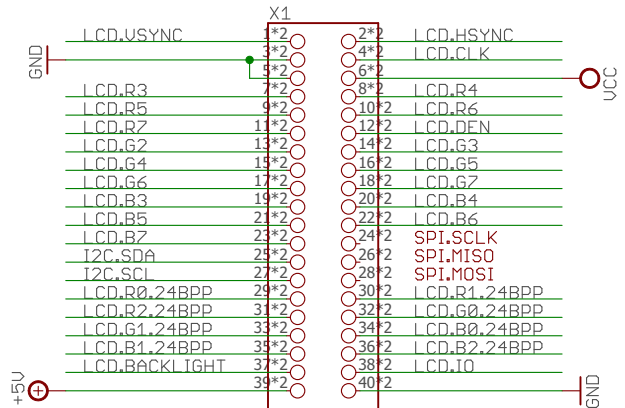
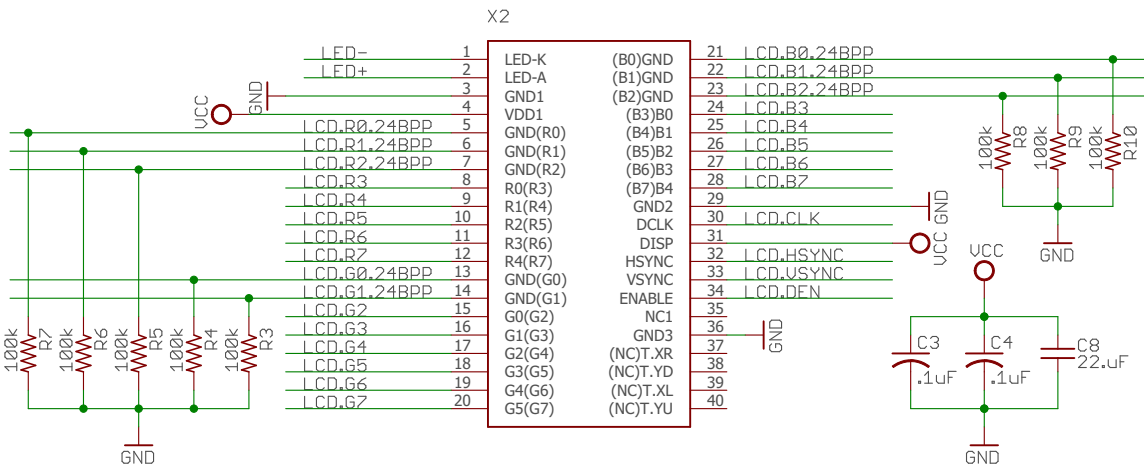


D3 (the zener diode) is not needed across the LED+ and LED- nodes as it will needlessly cause the LED Driver to heat-up forcing the voltage to stay at 33V without a load. For the FAN5333 driver (315mV FB), change R2 to 7.87 Ohms for 40mA (7 in display) For the PT4110 driver (300mV FB), change R2 to 7.5 Ohms for 40mA (7 in display)



LCD Pins



GHI electronics www.GHIElectronics.com

TITLE: UD700 **Copyright** 2017 GHI Electronics

Document Number: **REV:** A

Date: 3/15/2019 8:50 AM **Sheet:** 1/1