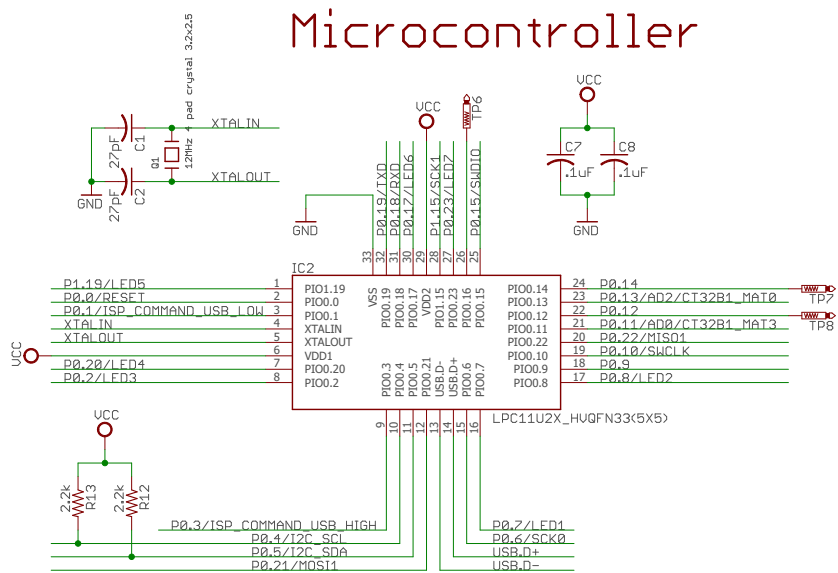
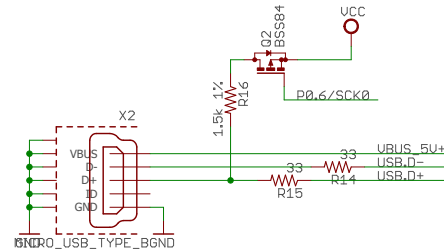


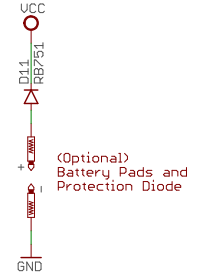
# Microcontroller



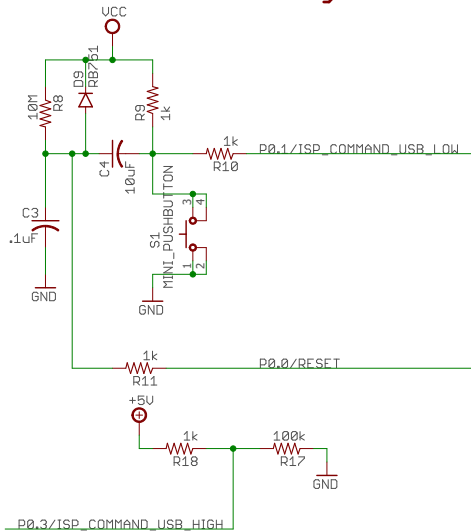
# USB



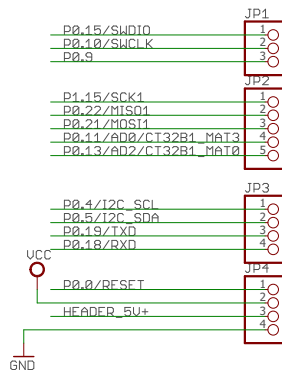
# Battery



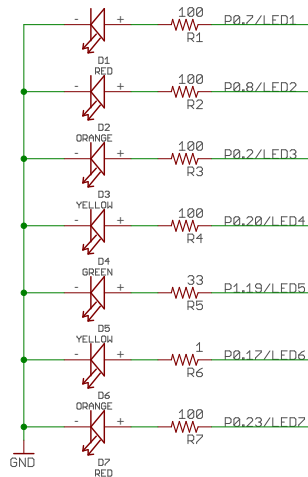
# Reset/Prog



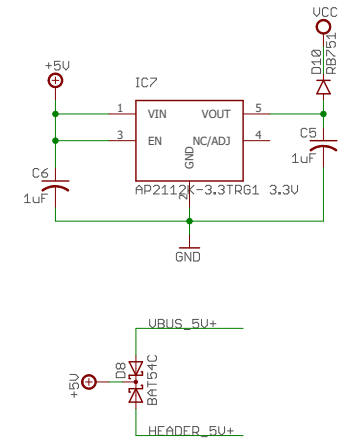
# User I/O



# LEDs



# Power



Copyright 2015 GHI Electronics

OutrageousCircuits.com  
By GHI Electronics

Rev 1.5  
mBuino  
3/15/2019 12:57 PM  
Sheet: 1/1

