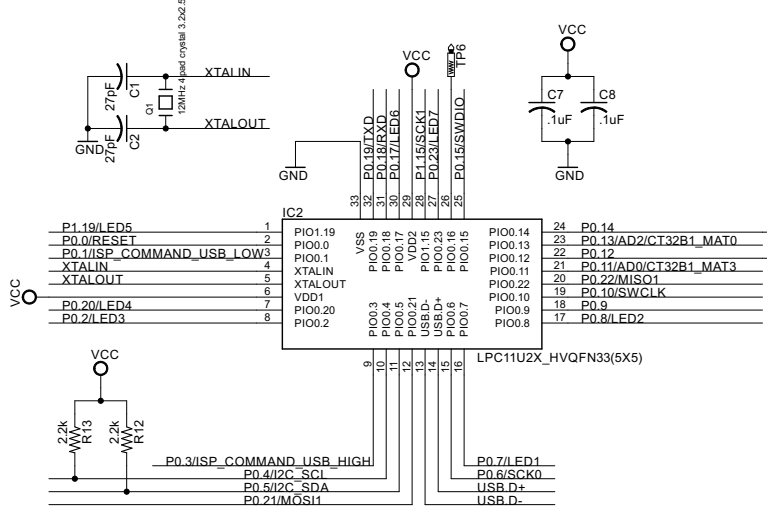
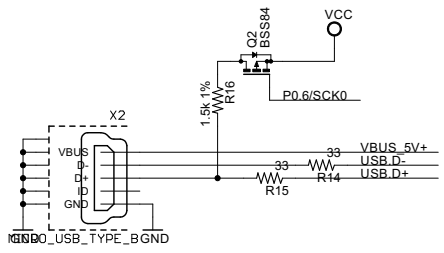


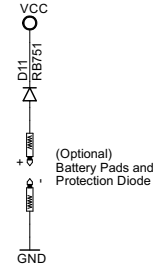
Microcontroller



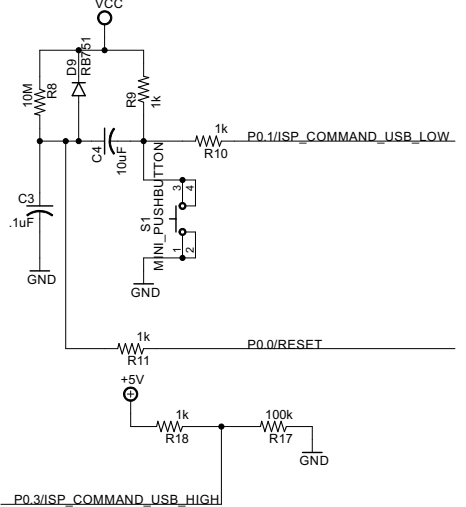
USB



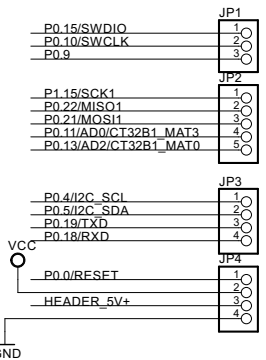
Battery



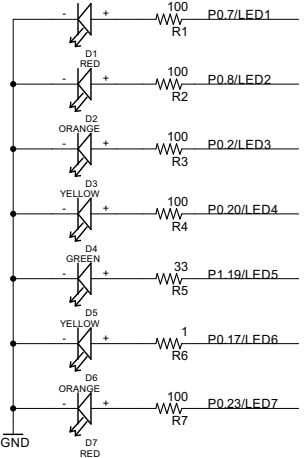
Reset/Prog



User I/O



LEDs



Power

